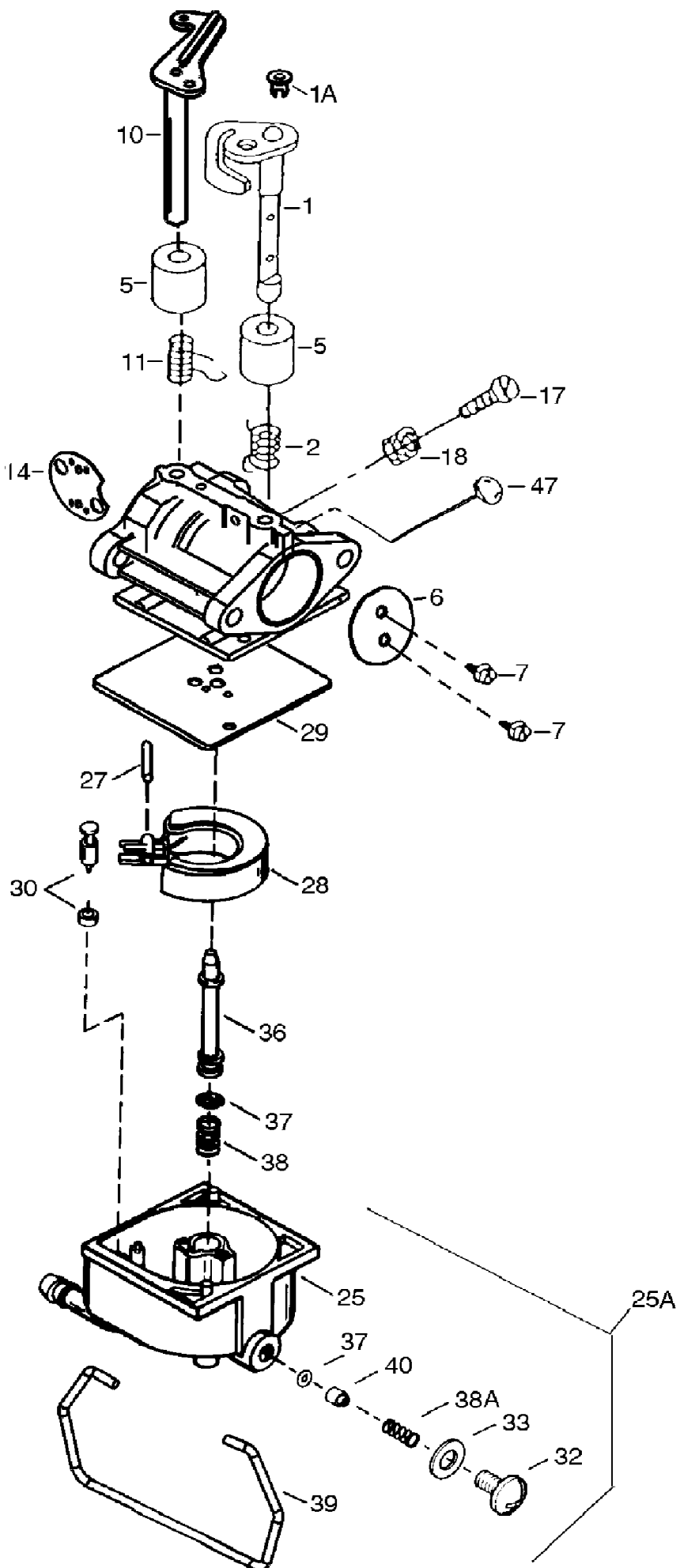


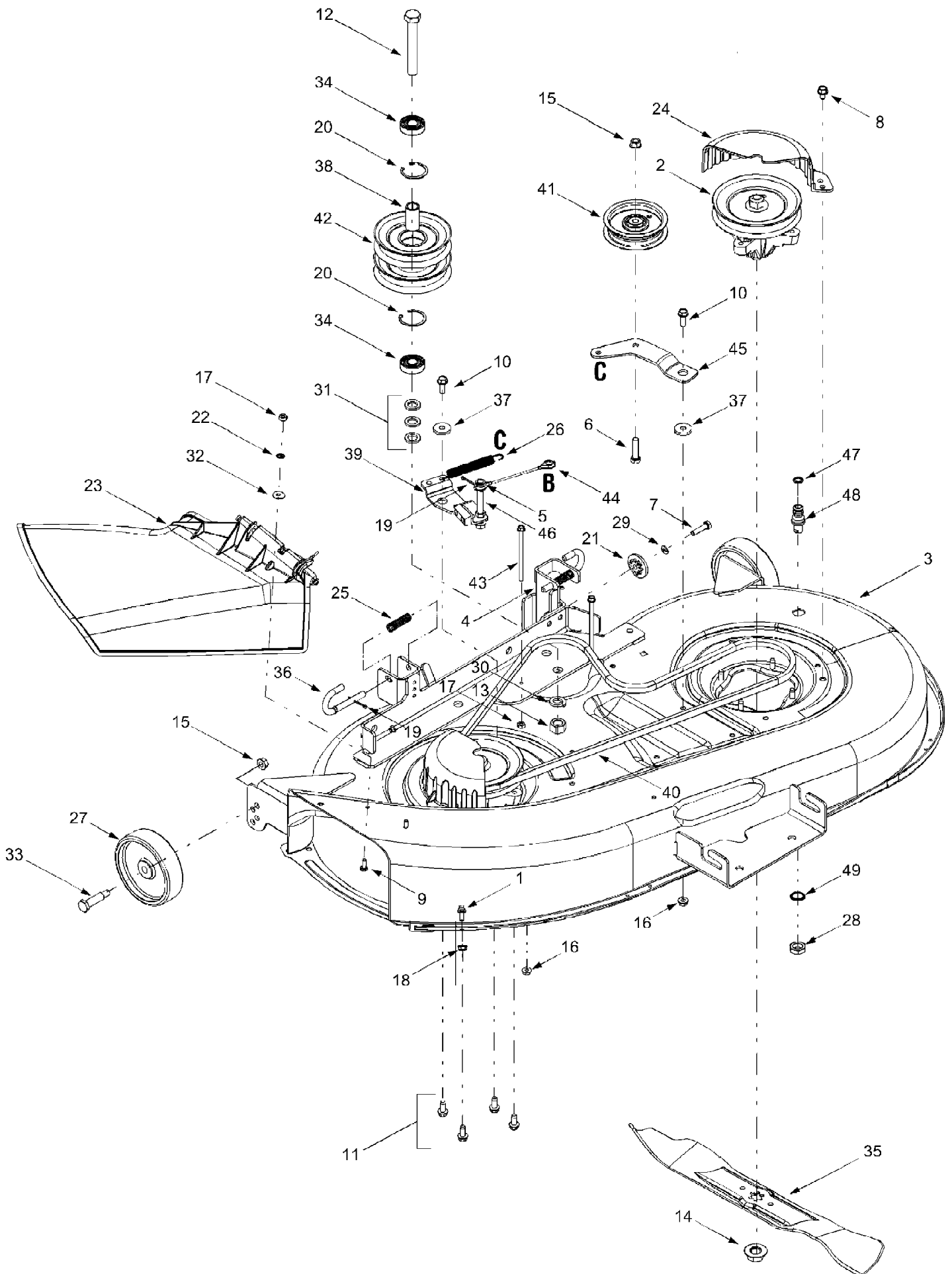
13A2606G190 LT-1500 (2003)
Carburetor



13A2606G190 LT-1500 (2003)
Carburetor

Page 2 of 33

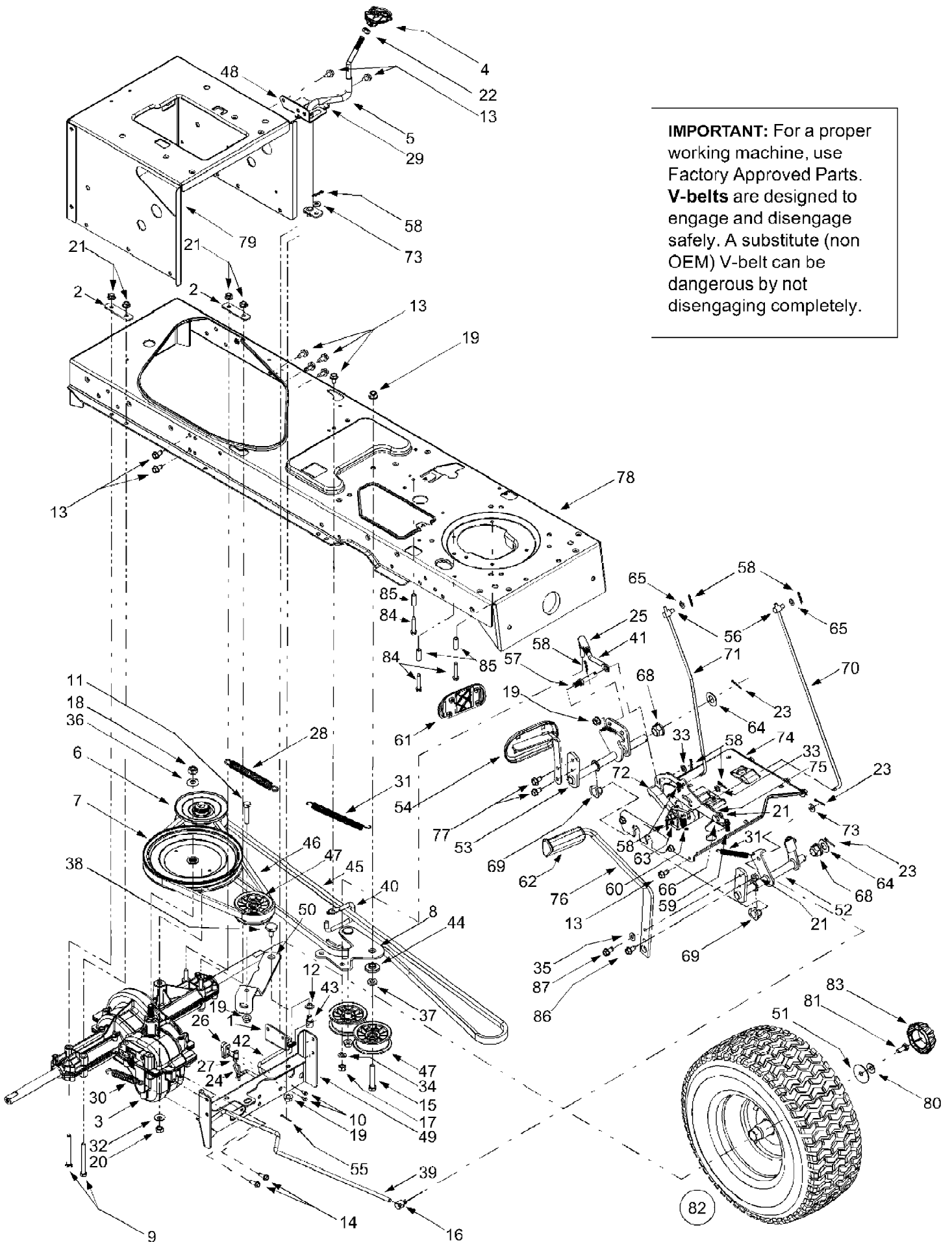
Ref #	Part Number	Qty	S/P/F	Description
	TC-640330	1	S	Carburetor (Incl 184 of Engine Parts Lists)
1	TC-640035	1		Throttle Shaft & Lever Assembly
1A	TC-36288	1		Throttle Link Bushing
2	TC-640036	1		Throttle Return Spring
5	TC-640037	1		Dust Seal
6	TC-640332	1		Throttle Shutter
7	TC-650506	1		Throttle Shutter Screws
10	TC-640044	1		Choke Shaft & Lever Assembly
11	TC-632785	1		Choke Return Spring
14	TC-640913	1		Choke Shutter
17	TC-651025	1		Throttle Crack Screw/Idle Speed Screw
18	TC-630766	1		Tension Spring
25	TC-640331	1		Float Bowl Assembly
25A	TC-630334	1		Bowl Kit
27	TC-632544	1		Float Shaft
28	TC-632543	1	/P	Float
29	TC-640047	1	/P	Float Bowl to Body Gasket
30	TC-632709	1	/P	Inlet Needle & Seat
32	TC-640041	1		Bowl Drain Screw
33	TC-27110A	1		Bowl Drain Washer
36	TC-640067	1		Main Nozzle Tube
37	TC-632547	1		O-Ring
38	TC-632545	1	/P	Spring, Main Nozzle Tube
38A	TC-36918	1		Spring
39	TC-640218A	1		Float Bowl Retainer
40	TC-632788	1		Main Fuel Jet
47	TC-630748	1		Welch Plug, Idle Mixing Well
	TC-611221	1	/P	Fuel Solenoid Shut Off Not Shown



13A2606G190 LT-1500 (2003)
Deck Assembly

Page 4 of 33

Ref #	Part Number	Qty	S/P/F	Description
1	711-04069	1	S	Grass Catcher Pin, 1/4-20
2	618-0574	1	S	Spindle Assembly, 5.75 Dia. w/ Fitting
	756-0980	1		Pulley Only
3	683-0198F	1	S	42-inch Deck Shell
4	683-0254	1	S	Deck Adjustment Bracket w/ Weld Nut
5	736-0140	1	S	Flat Washer, .385 x .62 x .063
6	710-0520	1	/P	Hex Cap Screw, 1/4-20 x 1.5
7	710-0528	1	/P	Hex Cap Screw, 5/16-18 x 1.25
8	710-0726	1	/P	Self-tapping Screw, 5/16-12 x .75
9	710-0751	1	/P	Hex Cap Screw, 1/4-20 x .62
10	710-1238	1	/P	Hex Head Washer Screw, 5/16-18 x .875
11	710-0650	1	/P	Self-tapping Screw, 5/16-18 x .875
12	710-3151	1	/P	Hex Cap Screw, 5/8-18 x .875
13	712-0337	1		Hex Nut, 5/8-18
14	712-0417A	1	/P	Hex Flange Nut, 5/8-18
15	712-0431	1	S	Flange Lock Nut, 3/8-16
16	712-3004A	1	/P	Flange Lock Nut, 5/16-18
17	712-3006	1	/P	Hex Nut, 1/4-20
18	712-3027	1	S	Hex Flange Lock Nut, 1/4-20
19	714-0470	1	S	Cotter Pin, 1/8 x 1.25
20	716-3020	1	S	Internal Snap Ring
21	717-1553B	1	S	Deck Adjustment Gear
22	726-0233	1	/P	Push Nut. .25 x .5
23	731-1032B	1	S	Side Discharge Chute Assembly
24	731-2486	1	S	Belt Cover
25	732-0306	1	S	Compression Spring, .406 x .531 x 1.75
26	732-0470A	1	S	Extension Spring, .50 x 4.74
27	734-0973	1	/P	Deck Wheel, 5 x 1.38
28	712-0641	1	S	Hex Nut, M-16 x 1.5
29	736-0119	1	S	Lock Washer, 5/16
30	736-0158	1	S	Lock Washer, 5/8
31	736-0162	1	/P	Flat Washer, .64 x 1.0 x .12
32	736-0270	1	/P	Bell Washer, .265 x .75 x .062
33	738-0373	1	S	Shoulder Screw, .498 x 1.53
34	741-0524	1	S	Bearing, .625 x 1.574 x .470
35	742-0616A	1	S	Three-in-one Blade, Star Center, 21.23"
36	747-1116	1	/P	Deck Release Pin
37	748-0331	1	S	Shoulder Spacer, .625 x .324
38	750-0932A	1	S	Spacer, .635 x .88 x 1.72
39	683-0440	1		Deck Brake Assembly
40	754-0498	1	S	Deck Belt
41	756-0627B	1	S	Idler Pulley, 3.5
42	756-1202	1		Double Pulley, 5.0
43	710-1830	1		Self-tapping Screw, 1/4-20 x 4.0
44	746-0970	1		Brake Cable, 5.05
45	783-1291	1	S	Idler Bracket
46	711-1534	1		Pin, 3/8-16, 3/8 x 3.27
47	721-0417	1	S	O-Ring
48	737-04003	1	S	Water Nozzle
49	736-0760	1	S	Lock Washer, 17 x 23.8 x 1.95



13A2606G190 LT-1500 (2003)
Drive & Rear Wheels

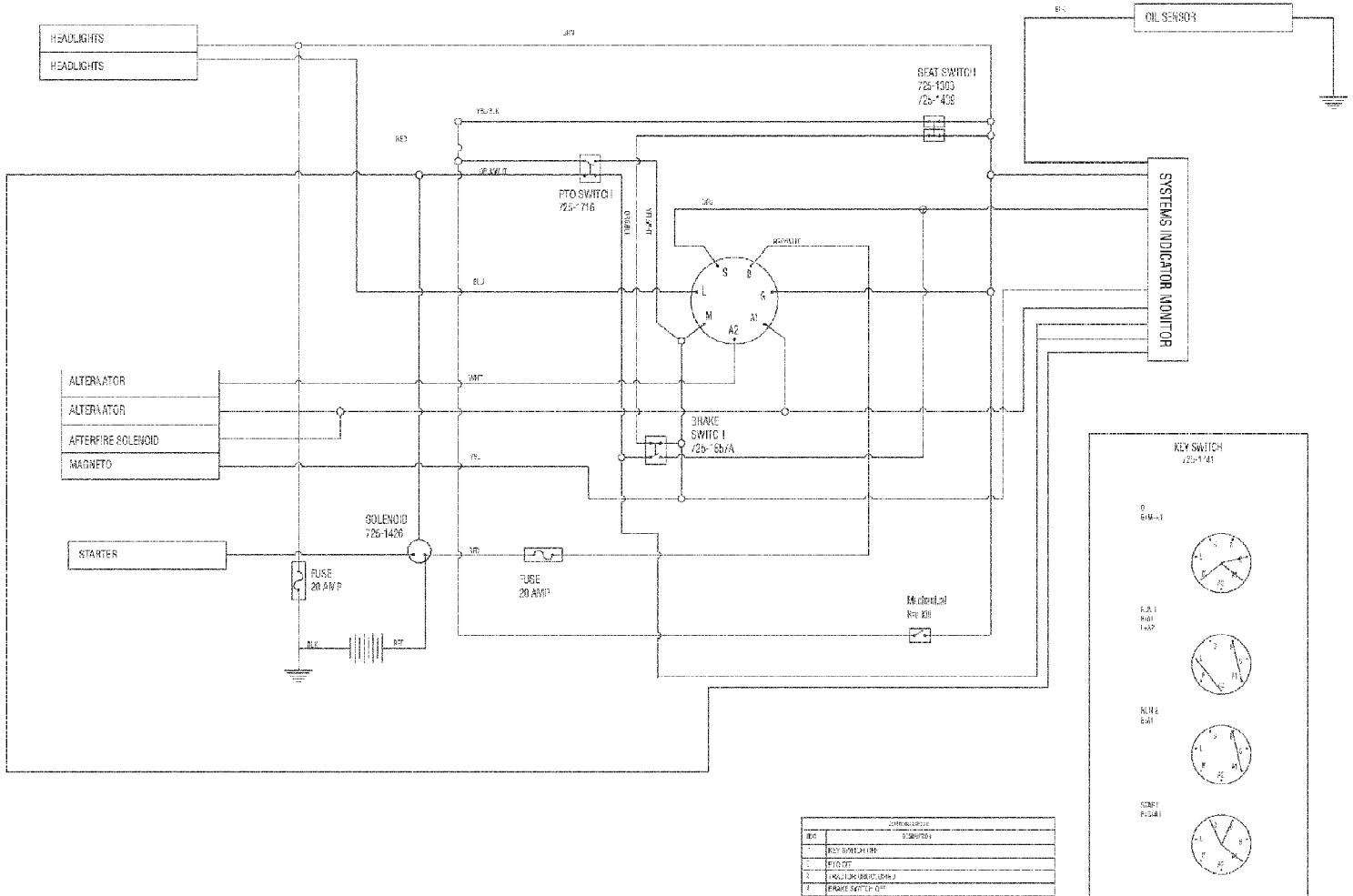
Page 6 of 33

Ref #	Part Number	Qty	S/P/F	Description
1	783-1015	1	S	Shift Lever Support
2	17840	1	S	Transaxle Mounting Bracket
3	618-0551A	1	S	Single-speed Transmission Assembly
4	631-0009A	1	S	Shifter Knob
5	647-0045	1		Shift Lever
6	656-0048	1	S	Variable-speed Pulley Assembly
7	656-0051A	1	/P	Transmission Pulley, 8.5 x .5-36
8	683-0251	1		Double-idler Bracket
9	710-0176	1	/P	Hex Cap Screw, 5/16-18 x 2.75
10	710-0227	1	/P	Self-tapping Screw, #8-18 x .5
11	710-0347	1	/P	Hex Cap Screw, 3/8-16 x 1.75
12	736-0272	1	S	Flat Washer, .51 x 1.0 x .060
13	710-0604A	1	/P	Self-tapping Screw, 5/16-18 x .625
14	710-0642	1	/P	Self-tapping Screw, 1/4-20 x .75
15	710-3011	1	/P	Hex Cap Screw, 3/8-16 x 2.25
16	711-0677	1	S	Ferrule, 5/16-18
17	712-0241	1	/P	Hex Nut, 3/8-24
18	712-0378	1	/P	Hex Nut, 7/16-20
19	712-0431	1	S	Flange Lock Nut, 3/8-16
20	712-3017	1	S	Hex Nut, 3/8-16
21	712-3004A	1	/P	Flange Lock Nut, 5/16-18
22	712-3008	1	S	Jam Nut, 3/8-16
23	714-0111	1	S	Cotter Pin
24	714-0209	1	S	Internal Cotter Pin
25	723-3018	1	S	Ball Joint
26	725-1644	1		Short Spring Switch
27	726-0320	1	S	Insulator Nut Plate
28	732-0384	1	S	Extension Spring, .62 Dia. x 6.12
29	732-0525	1		Compression Spring Clip
30	732-0716	1	S	Extension Spring, .59 OD x 4
31	732-0963	1		Extension Spring, .50 Dia. x 6.37 (hooks to flange in frame)
32	736-0105	1	/P	Bell Washer, .401 x .87 x .063
33	736-0140	1	S	Flat Washer, .385 x .62 x .063
34	736-0169	1	S	Lock Washer, 3/8
35	736-3008	1	S	Flat Washer, .344 x .750 x .120
36	736-0407	1		Bell Washer, .45 x 1.0 x .602
37	736-3010	1		Flat Washer, .407 x .812 x .135
38	738-0322	1	S	Shoulder Screw, .625 x .217
39	747-1122	1		Brake Rod
40	747-1123A	1	/P	Belt Guard
41	747-1127	1		Idler Adjustment Rod, 3/8
42	647-0047A	1	/P	Shift Rod
43	711-0736	1	/P	Adjustment Ferrule, 1/4-20 x 1.0
44	738-0372A	1	S	Shoulder Spacer, .38 ID
45	754-0467	1	S	Lower Drive Belt
46	754-0468	1	S	Upper Drive Belt
47	756-0981A	1	S	Flat Idler, 2.75 OD
48	783-1016B	1	/P	Speed Control Rod Bracket
49	783-0667B	1		Transmission Torque Bracket
50	783-0669	1	S	Idler Bracket
51	736-0430	1	/P	Flat Washer, .350 x 1.59 x .062

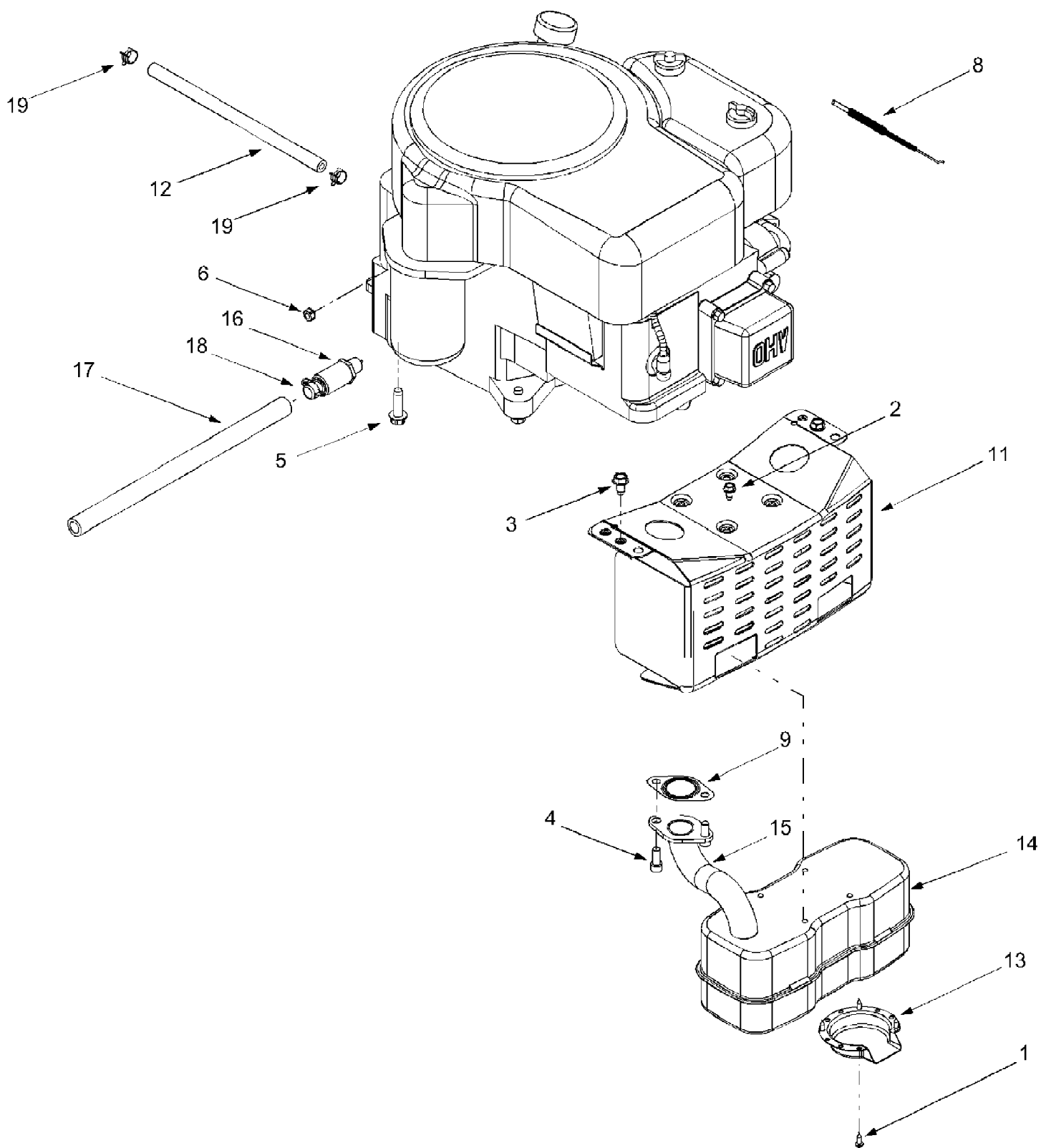
13A2606G190 LT-1500 (2003)
Drive & Rear Wheels

Page 7 of 33

Ref #	Part Number	Qty	S/P/F	Description
52	647-0031	1	S	Brake Control Assembly
53	647-0032	1	S	Speed Control Assembly
54	683-0266	1		Drive Pedal Assembly
55	714-0470	1	S	Cotter Pin, 1/8 x 1.25
56	711-0736	1	/P	Ferrule, 1/4-20
57	711-1363	1		Pin, 3/8-16 x 2.43
58	714-0104	1	S	Cotter Pin
59	732-0437	1		Compression Spring, .34 OD x 1.0
60	732-0955	1		Extension Spring, .50 OD x 1.41
61	735-0662	1		Drive Pedal Pad
62	735-3049	1	S	Brake Pedal Pad
63	736-0142	1	S	Flat Washer, .281 x .5 x .063
64	736-0187	1	/P	Flat Washer, .64 x 1.24 x .06
65	736-0204	1	/P	Flat Washer, .344 x .062 x .03
66	738-0155	1	S	Shoulder Screw, .437 x 1.62
67	738-0507B	1	S	Shoulder Screw, .5 x .434
68	741-0225	1	S	Hex Flange Bearing
69	741-3065A	1	S	Split Hex Flange Bearing
70	747-1137	1		Cruise Control Rod
71	747-1138	1		Brake Lock Control Rod
72	748-0413	1		Cruise Latch
73	736-0275	1	S	Flat Washer, .344 x .688 x .065
74	783-0653E	1	S	Steering Support Bracket
75	783-0732	1	S	Drive Lockout Bracket
76	783-0773	1		Brake Pedal
77	710-1260A	1	/P	Self-tapping Screw, 5/16-18 x .75
78	683-0304C	1		Lower Frame Assembly
79	783-1031A	1		Hitch Plate
80	736-0242	1	/P	Bell Washer, .34 x .872
81	710-0627	1	/P	Hex Cap Screw, 5/16-24 x .75
82	634-0104	1		Wheel Assembly Complete 20 x 8 x 8 Square Shoulder
82	634-0070	1	/P	Rim Assembly Only
82	734-0255	1	S	Air Valve (Not Shown)
82	734-1730	1		Tire Only, 20 x 8 x 8, Square Shoulder
83	731-2290A	1	/P	Deluxe Hub Cap (Ref. 51 Required)
84	710-0809	1		Self-tapping Screw, 1/4-20 x 1.25
85	750-0566A	1	/P	Spacer
86	710-0650	1	/P	Self-tapping Screw, 5/16-18 x .875
87	710-1611B	1	/P	Self-tapping Screw, 5/16-18 x .75



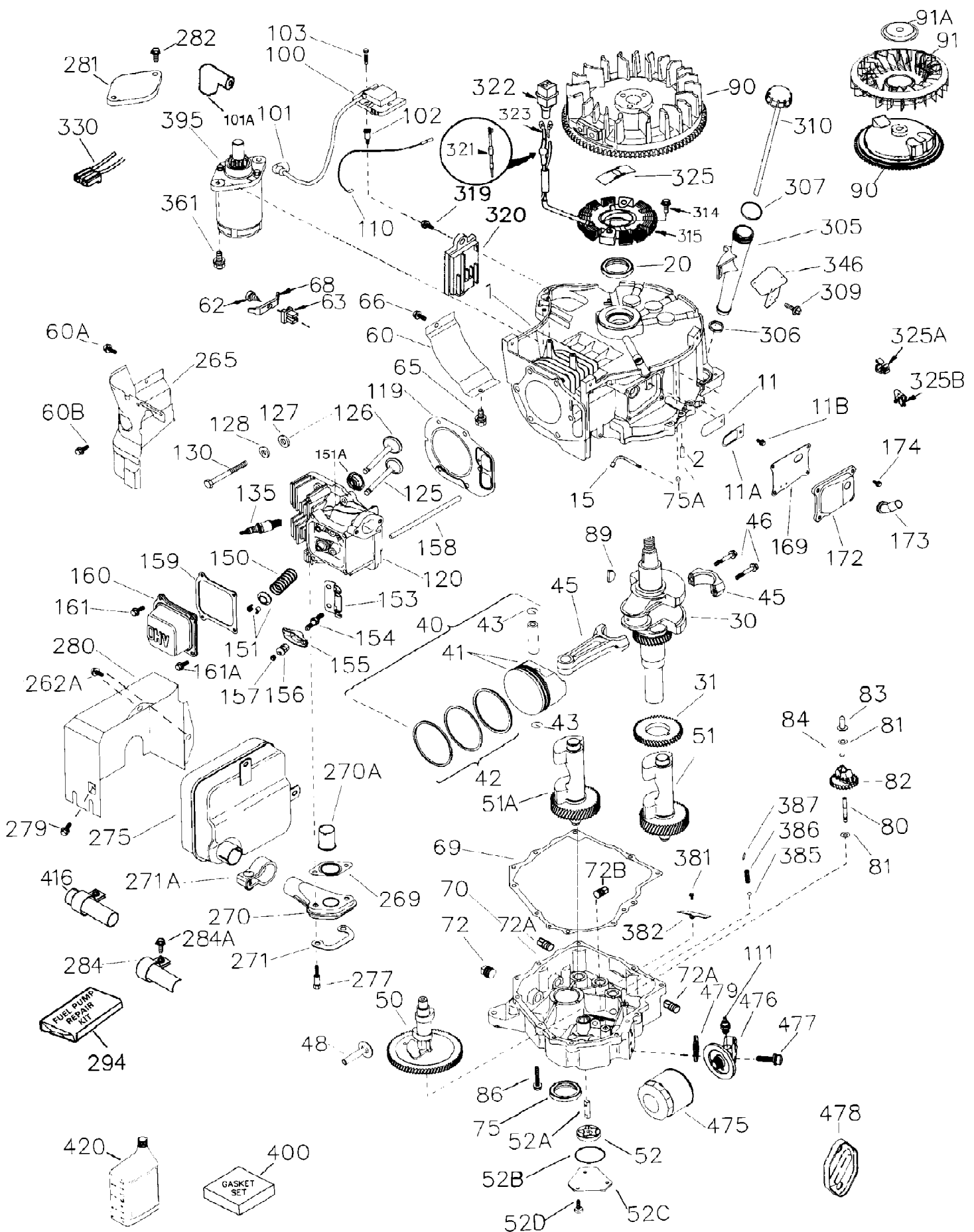
13A2606G190 LT-1500 (2003)
Engine Accessories



13A2606G190 LT-1500 (2003)
Engine Accessories

Page 10 of 33

Ref #	Part Number	Qty	S/P/F	Description
1	710-0227	1	/P	Self-tapping Screw, #8-18 x .50
2	710-0599	1	/P	Self-tapping Screw, 1/4-20 x .50
3	710-0726	1	/P	Self-tapping Screw, 5/16-12 x .750
4	710-1314A	1	/P	Socket Cap Screw, 5/16-18 x .75
5	710-1315	1	/P	Self-tapping Screw, 3/8-16 x 1.25
6	712-0271	1	/P	Hex Sems Nut, 1/4-20
?7	712-3017	1	S	Hex Nut, 3/8-16
8	746-1084	1	S	Throttle Cable
9	721-0348	1		Exhaust Gasket
?10	736-3000	1		Flat Washer, .406 x .875 x .059
11	783-0615B	1	S	Muffler Heat Shield
12	751-0535	1		Fuel Line Hose
13	751-0564	1	S	Muffler Deflector
14	751-0617	1	S	Muffler, Single Inlet
15	751-0620	1	S	Exhaust Pipe
16	751-3140	1	S	Oil Drain Valve
17	751-3141	1	S	Oil Drain Hose
18	751-3142	1		Oil Drain Cap
19	726-0205	1	/P	Hose Clamp



13A2606G190 LT-1500 (2003)
Engine List 1

Page 12 of 33

Ref #	Part Number	Qty	S/P/F	Description
1	TC-37525A	1		Cylinder (Incl. 2, 11B, 20, 72B, & 314)
2	TC-27652	1		Dowel Pin
11	TC-36302	1		Check Valve
11A	TC-36303	1		Breather Plate
11B	TC-650902	1		Screw, 10-32 x 7/16"
15	TC-37754	1		Governor Rod
20	TC-36301	1	/P	Oil Seal
30	TC-36308	1		Crankshaft
31	TC-36324	1		Counterbalance Gear
40	TC-36312	1		Piston, Pin & Ring Set (Std.)
40	TC-36313	1		Piston, Pin & Ring Set (.010" OS)
40	TC-36314	1		Piston, Pin & Ring Set (.020" OS)
41	~N/A	1		Piston & Pin Ass'y (Std.) (.010" OS) (.020" OS) (Incl. 43)
42	TC-36315	1		Ring Set (Std.)
42	TC-36316	1		Ring Set (.010" OS)
42	TC-36317	1		Ring Set (.020" OS)
43	TC-35772	1		Piston Pin Retaining Ring
45	TC-36318A	1		Connecting Rod (Incl. 46)
45	TC-36319A	1		Connecting Rod Ass'y. (.010" US) (Incl. 46)
45	TC-36320A	1		Connecting Rod Ass'y. (.020" US) (Incl. 46)
46	TC-651063	1		Connecting Rod Bolt
48	TC-36321	1		Valve Lifter
51	TC-36323	1		Counterbalance Weight
51A		1		UNKNOWN
52	TC-37305	1		Oil Pump Ass'y.
52A	TC-36331	1		Oil Pump Shaft
52B	TC-36333	1		"O" Ring Kit (P)
52C	TC-36334	1		Oil Pump Cover (Incl. 52B)
52D	TC-650888	1		Screw, T-30, 1/4-20 x 43/64"
60	TC-36361	1		Air Baffle
60A	TC-650273	1		Screw, 5-16/18 x 17/32"
60B	TC-650867	1		Screw, 10-24 x 1/2"
62		1		UNKNOWN
63		1		UNKNOWN
65	TC-30063	1		Screw, T-30, 1/4-20 x 1/2"
66	TC-650737	1		Screw, 1/4-20 x 1/2"
68		1		UNKNOWN
69	TC-36565	1		Mounting Flange Gasket Kit (P)
70	TC-37304A	1		Mounting Flange (Incl. 72B, 75, 80, 381-387)
72		1		UNKNOWN
72A	TC-28483	1		Oil Drain Plug
72B	TC-28534	1		Pipe Plug
75	TC-36301	1	/P	Oil Seal 75A TC-510337 Oil Seal
75A		1		UNKNOWN
80	TC-35712	1		Governor Shaft
81	TC-35479A	1		Washer
82	TC-37756	1		Governor Gear Ass'y.
83	TC-35322	1		Governor Spool
84	TC-29193	1		Retaining Ring
86	TC-650970	1		Screw, 1/4-20 x 1-15/32"
89	TC-650592	1		Flywheel Key

13A2606G190 LT-1500 (2003)
Engine List 1

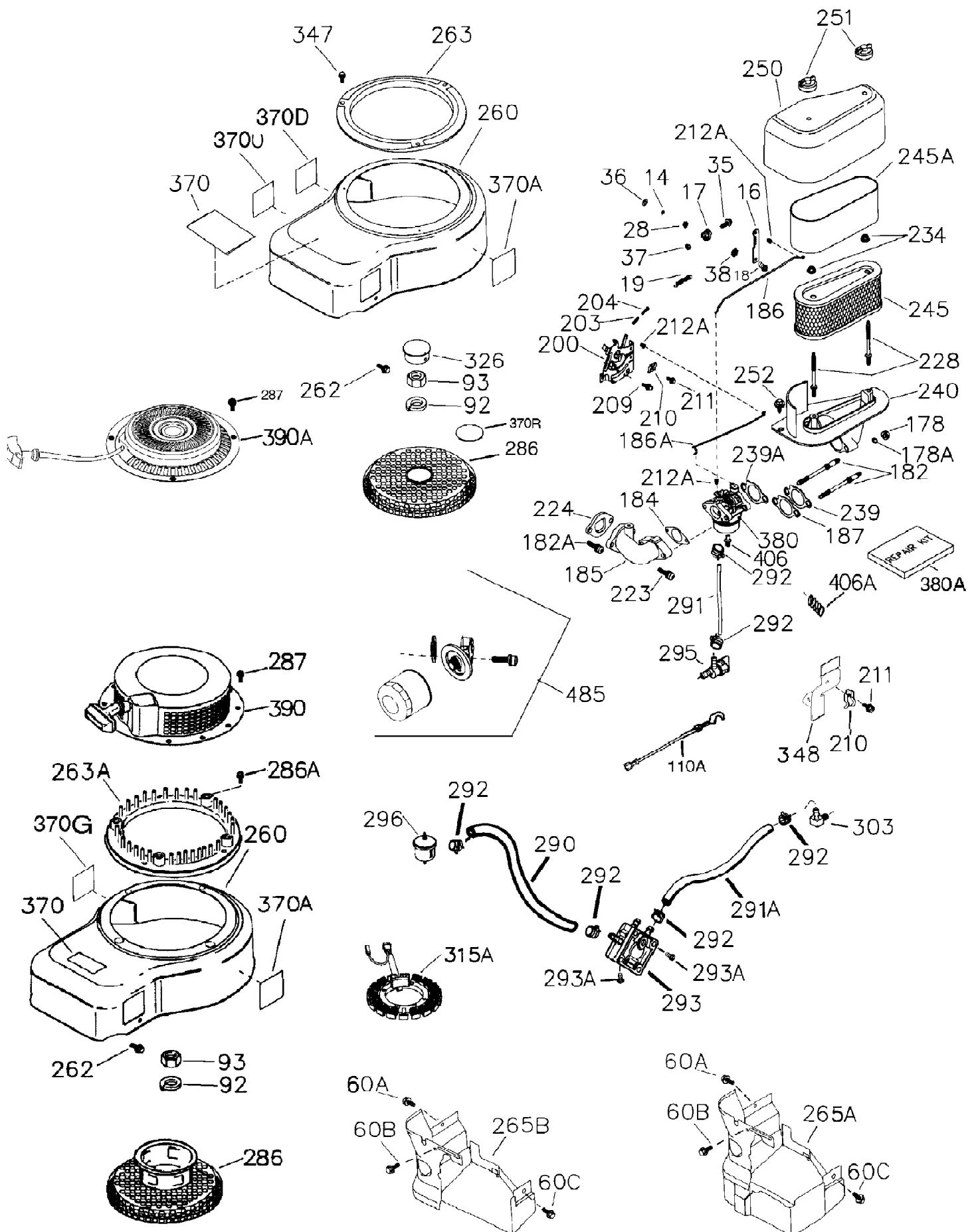
Page 13 of 33

Ref #	Part Number	Qty	S/P/F	Description
90	TC-611243	1		Flywheel
91	TC-611241	1	S	Flywheel Fan
91A	TC-611242	1		Flywheel Fan Retainer
100	TC-36344A	1	/P	Solid State Ignition (Incl. 101)
101	TC-610118	1		Spark Plug Cover
101A		1		UNKNOWN
102	TC-651024	1		Solid State Mounting Stud
103	TC-651007	1		Screw, T-15, 10-24 x 15/16"
110	TC-37494	1		Ground Wire
111		1		UNKNOWN
119	TC-37493	1		Cylinder Head Gasket Kit (P)
120	TC-37757	1		Cylinder Head (Incl. 119, 151A & 270A)
125	TC-35308	1		Exhaust Valve (Std.)
125	TC-35433	1		Exhaust Valve (1/32" OS)
126	TC-35309	1		Intake Valve (Std.)
127	TC-650691	1		Washer
128	TC-650690	1		Belleville Washer
130	TC-650946	1		Screw, 5/16-18 x 2-45/64"
135	TC-34645	1	/P	Resistor Spark Plug (RN4C)
150	TC-33507	1		Valve Spring
151	TC-33508	1		Valve Spring Keeper
151A	TC-40046	1		Intake Valve Seal
153	TC-36339	1		Push Rod Guide
154	TC-651077	1		Rocker Arm Stud
155	TC-35950	1		Rocker Arm
156	TC-36341	1		Rocker Arm Bearing
157		1		UNKNOWN
158	TC-36340	1		Push Rod
159	TC-35952	1	/P	Rocker Arm Cover Gasket Kit (P)
160	TC-35953A	1		Rocker Arm Housing
161	TC-30063	1		Screw, T-30, 1/4-20 x 1/2"
161A		1		UNKNOWN
169	TC-36304	1		Breather Gasket Kit (P)
172	TC-36305	1		Valve Cover
173	TC-36306	1		Breather Tube
174	TC-30063	1		Screw, T-30, 1/4-20 x 1/2"
262A		1		UNKNOWN
265	TC-36615	1		Cylinder Head Cover
269		1		UNKNOWN
270		1		UNKNOWN
270A	TC-35829A	1		Exhaust Port Liner
271		1		UNKNOWN
271A		1		UNKNOWN
275		1		UNKNOWN
277		1		UNKNOWN
279		1		UNKNOWN
280		1		UNKNOWN
281		1		UNKNOWN
282		1		UNKNOWN
284		1		UNKNOWN
284A		1		UNKNOWN
294	TC-35791	1		Pulse Pump Repair Kit
305	TC-36349	1		Oil Filter

13A2606G190 LT-1500 (2003)
Engine List 1

Page 14 of 33

Ref #	Part Number	Qty	S/P/F	Description
306	TC-37401	1		"O" Ring Kit (P)
307	TC-35499	1	/P	"O" Ring
309	TC-650974	1		Screw, 1/4-20 x 57/64"
310	TC-36366	1		Dipstick
314	TC-651007	1		Screw, T-15, 10-24 x 15/16"
315	TC-611280	1	/P	Alternator Coil (3/5 Split) (Incl. 321, 322 & 323)
319		1		UNKNOWN
321	TC-611161	1	/P	Diode
322	TC-611281	1		Connector Body
323	TC-611282	1		Terminal
325	TC-36342	1		Wire Clip
325B	TC-37230	1		Wire Clip
320		1		UNKNOWN
325A		1		UNKNOWN
330		1		UNKNOWN
346	TC-36413	1		Fuel Pump Bracket
361	TC-650969	1		Screw, 15/16-18 x 29/32"
381	TC-650767	1		Screw, 8-32 x 27/64"
382	TC-36328	1		Oil Strainer Screen
385	TC-570673	1		Ball
386	TC-36329	1		Pressure Relief Spring
387	TC-37652	1		Cotter Pin
395	TC-36795	1	/P	Electric Starter Motor (12 Volt)
400	TC-37496	1		Gasket Set (Incl. Items Marked PK in Notes)
416		1		UNKNOWN
420	~N/A	1		SAE 30 4-Cycle Engine Oil (Quart)
475	TC-36563	1	/P	Oil Filter
476	TC-37789	1		Oil Filter Adapter (Incl. 477 & 479)
477	TC-651087	1		Screw, T-30, 5/16-18 x 2"
478		1		UNKNOWN
479	TC-36335	1		Oil Filter Adapter Gasket



13A2606G190 LT-1500 (2003)
Engine List 2

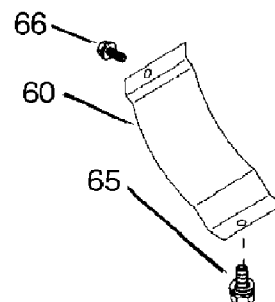
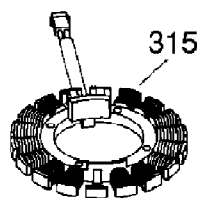
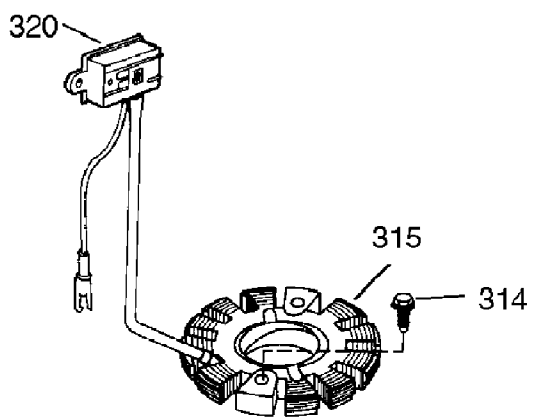
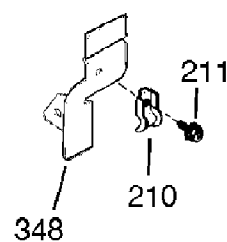
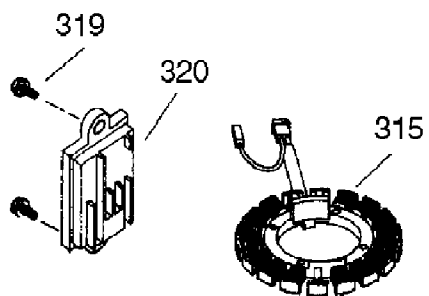
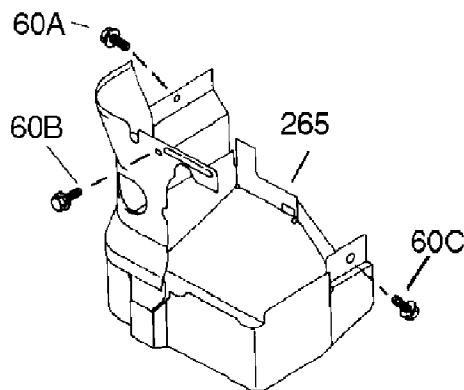
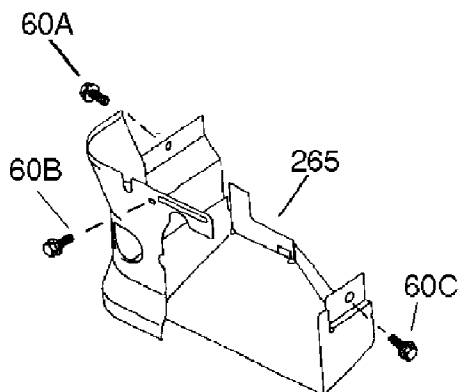
Page 16 of 33

Ref #	Part Number	Qty	S/P/F	Description
14	TC-651052	1		Washer
16	TC-37758	1		Governor Lever
17	TC-29916	1		Governor Lever Clamp
18	TC-651028	1		Screw, T-15, 8-32 x 7/16"
19	TC-37766	1		Extension Spring
28	TC-30322	1		Lock Nut, 8-32
35	TC-29826	1		Screw, 10-32 x 3/4"
36	TC-29918	1		Lock Washer
37	TC-29216	1		Lock Nut, 10-32
38	TC-37109	1		Retaining Ring
60A	TC-650273	1		Screw, 5-16/18 x 17/32"
60B	TC-650867	1		Screw, 10-24 x 1/2"
60C	TC-650737	1		Screw, 1/4-20 x 1/2"
92	TC-651082	1		Belleville Washer
93	TC-650594	1		Flywheel Nut
110A	TC-36917	1		Ground Wire & Terminal
178	TC-650928	1		Wing Nut, 1/4-20
178A		1		UNKNOWN
182	TC-650925A	1		Carburetor Mounting Stud
182A		1		UNKNOWN
184	TC-36352	1	/P	Carburetor To Intake Pipe Gasket Kit (P)
185	TC-37767	1		Intake Pipe
186	TC-36354	1		Governor Link
186A	TC-36353	1		Choke Link
187		1		UNKNOWN
200	TC-36360	1		Control Bracket (Incl. 203, 204, 212A)
203	TC-36482	1		Compression Spring
204	TC-651019	1		Screw, T-10, 6-32 x 41/64"
209	TC-650902	1		Screw, 10-32 x 7/16"
210	TC-27793	1	/P	Conduit Clip
211	TC-28942	1	/P	Screw, 10-32 x 3/8"
212A	TC-36288	1		Bushing
223	TC-650975	1		Screw, T-30, 5/16-18 x 1-9/32"
224	TC-36490	1		Intake Pipe Gasket Kit (P)
228	TC-650977	1		Air Cleaner Stud
234	TC-650825	1	/P	Nut & Lock Washer, 1/4-20
239	TC-36358	1	/P	Air Cleaner Gasket Kit (P)
239A		1		UNKNOWN
240	TC-36355	1		Air Cleaner Body (Incl. 228 & 239)
245	TC-36356	1	/P	Air Cleaner Filter (Incl. 229)
245A	TC-36357	1	/P	Air Cleaner Filter
250	TC-36359	1	S	Air Cleaner Cover
251	TC-650886	1	/P	Wing Nut, 1/4-20
252	TC-650976	1		Screw, 1/4-20 x 19/32"
260	TC-36347	1		Blower Housing
262	TC-650737	1		Screw, 1/4-20 x 1/2"
263	TC-36367	1		Trim Ring (Black)
263A		1		UNKNOWN
265A		1		UNKNOWN
265B		1		UNKNOWN
286	TC-36343	1		Cup & Screen
286A		1		UNKNOWN
287		1		UNKNOWN

13A2606G190 LT-1500 (2003)
Engine List 2

Page 17 of 33

Ref #	Part Number	Qty	S/P/F	Description
290		1		UNKNOWN
291	~N/A	1		Fuel Line
291	TC-30705	1	/P	Fuel Line
291A	~N/A	1		Fuel Line
292	TC-26460	1	/P	Fuel Line Clamp
293	TC-35787	1	S	Pulse Pump (Incl. 294)
293A	TC-650931	1		Screw, 8-32 x 1-1/2"
295		1		UNKNOWN
296	TC-37768	1	/P	Fuel Filter (Incl. 292)
303	TC-32958	1		Fuel Fitting
315A		1		UNKNOWN
326	TC-36210	1		Screen Plug
347	TC-650949	1		Screw, 10-24 x 9/16"
348		1		UNKNOWN
370		1		UNKNOWN
370A		1		UNKNOWN
370D		1		UNKNOWN
370R		1		UNKNOWN
370U		1		UNKNOWN
370G	TC-35274	1		Oil Instruction Decal
380	TC-640330	1	S	Carburetor (Incl. 184 & 212A)
380A		1		UNKNOWN
390		1		UNKNOWN
390A		1		UNKNOWN
406		1		UNKNOWN
406A		1		UNKNOWN
485		1		UNKNOWN

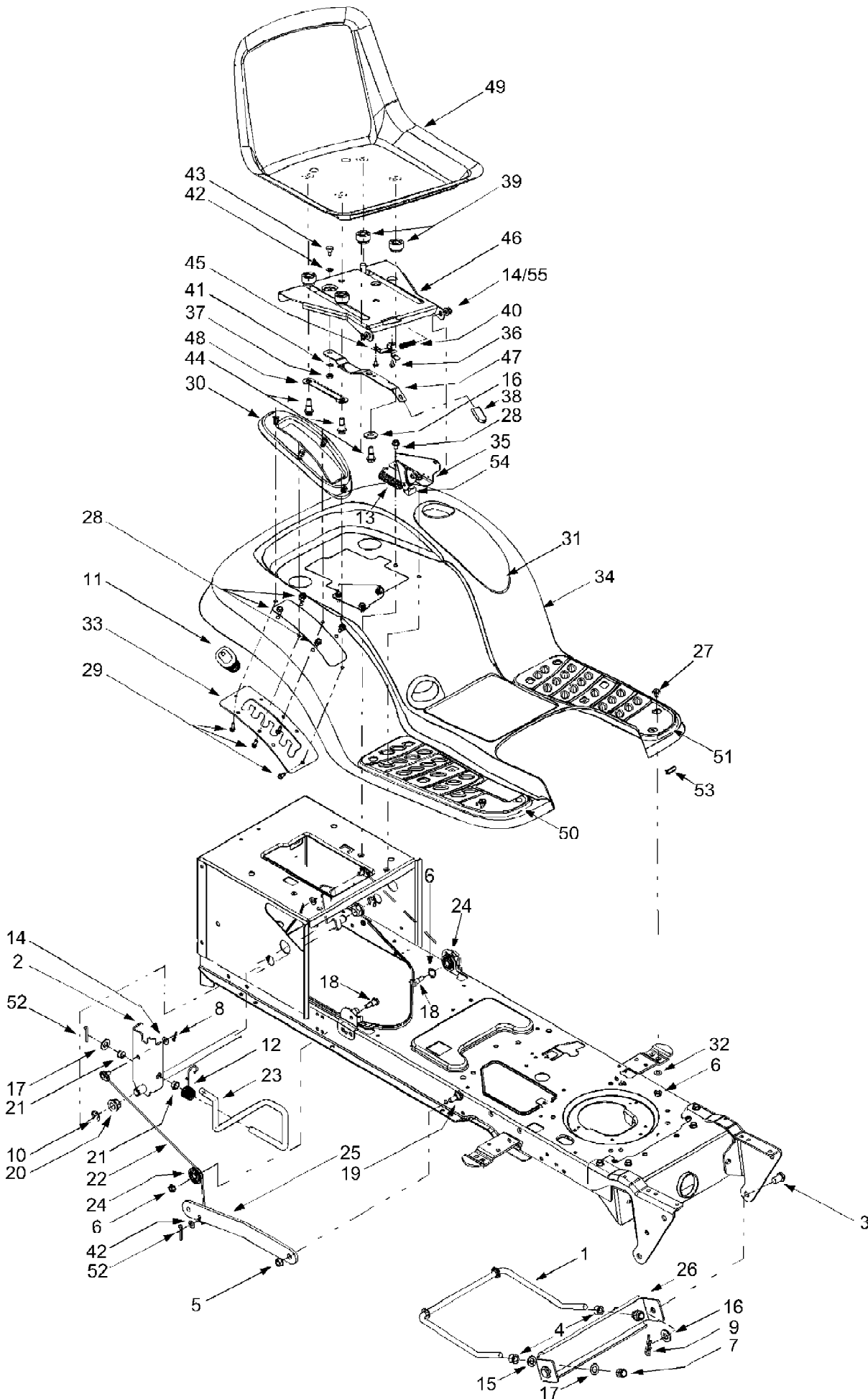


13A2606G190 LT-1500 (2003)
Engine List 3

Page 19 of 33

Ref #	Part Number	Qty	S/P/F	Description
60	TC-36361	1		Air Baffle
60A	TC-650273	1		Screw, 5-16/18 x 17/32"
60B	TC-650867	1		Screw, 10-24 x 1/2"
60C	TC-650737	1		Screw, 1/4-20 x 1/2"
65	TC-30063	1		Screw, T-30, 1/4-20 x 1/2"
68		1		UNKNOWN
210	TC-27793	1	/P	Conduit Clip
211	TC-28942	1	/P	Screw, 10-32 x 3/8"
265	TC-36615	1		Cylinder Head Cover
294	TC-35791	1		Pulse Pump Repair Kit
314	TC-651007	1		Screw, T-15, 10-24 x 15/16"
315	TC-611280	1	/P	Alternator Coil (3/5 Split) (Incl. 321, 322 & 323)
319		1		UNKNOWN
320		1		UNKNOWN
325	TC-36342	1		Wire Clip
348		1		UNKNOWN

13A2606G190 LT-1500 (2003)
Fender, Seat, Deck Stabilizer



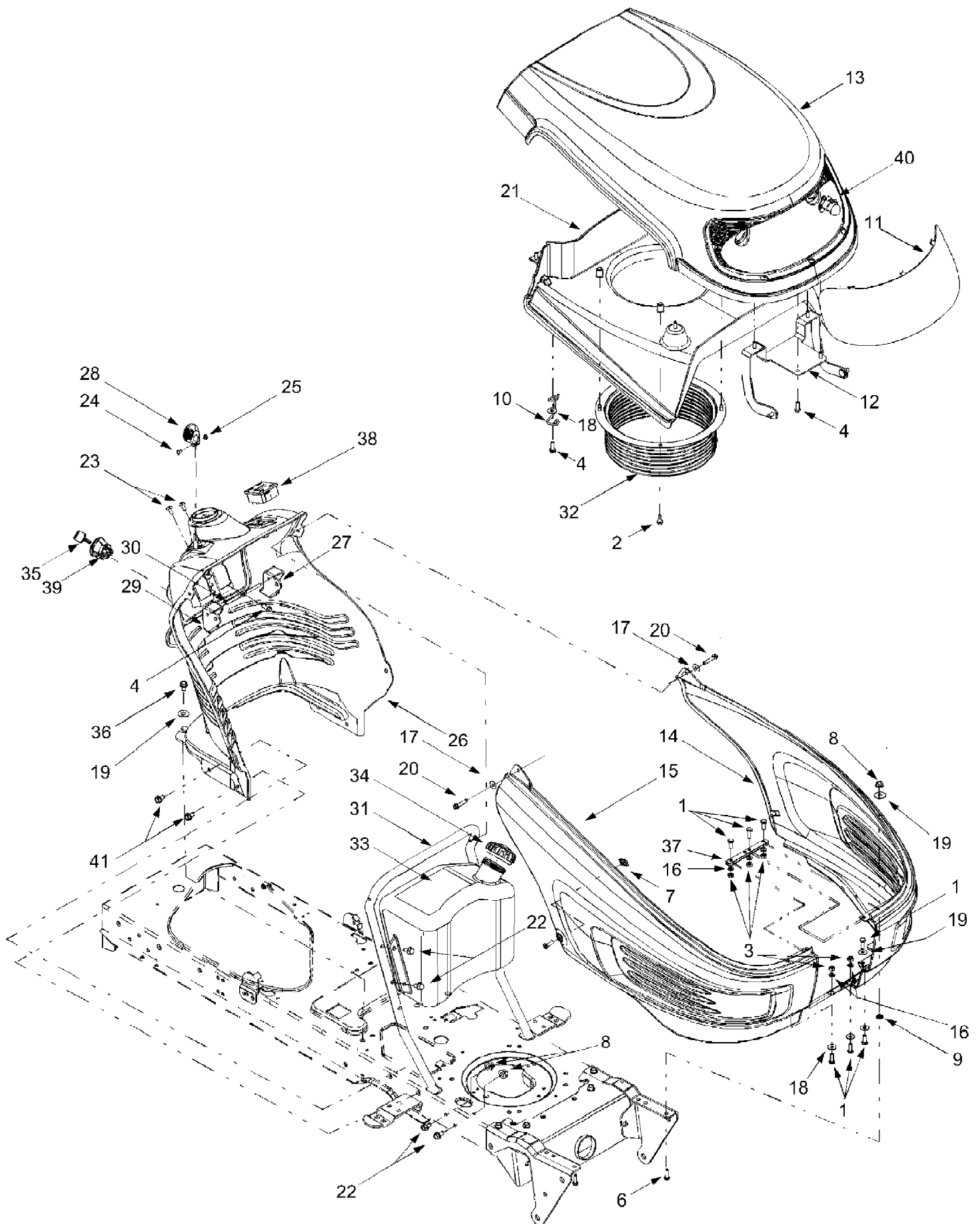
13A2606G190 LT-1500 (2003)
Fender, Seat, Deck Stabilizer

Page 21 of 33

Ref #	Part Number	Qty	S/P/F	Description
1	747-1130B	1	/P	Deck Stabilizer Rod
2	683-0197B	1	S	Lift Shaft Assembly
3	711-0332	1	S	Clevis Pin, .5 x .78
4	712-0206	1	S	Hex Nut, 1/2-13
5	712-0431	1	S	Flange Lock Nut, 3/8-16
6	712-3004A	1	/P	Flange Lock Nut, 5/16-18
7	712-3083	1	/P	Hex Nut, 1/2-13
8	714-0104	1	S	Internal Cotter Pin
9	714-0145	1	S	Internal Cotter Pin
10	716-0106	1	/P	E-ring
11	720-0311	1		Handle Grip
12	732-0874	1	/P	Torsion Spring
13	732-1027	1		Extension Spring, .872 x 3.4
14	736-0275	1	S	Flat Washer, 5/16
15	736-0921	1	S	Lock Washer, 1/2
16	736-3019	1		Flat Washer, .31 x 1.062 x .134
17	736-3084	1	/P	Flat Washer, .51 x 1.12 x .06
18	738-0138A	1	/P	Hex Cap Screw, 5/16-18 x .62
19	738-0143	1	/P	Shoulder Screw, 3/8-16
20	741-0225	1	S	Hex Flange Bearing
21	741-0715	1	S	Snap Flange Bearing
22	746-0968	1		Lift Cable, 16.16
23	747-1111A	1	/P	Lift Handle
24	756-1154	1		Roller Pulley
25	783-0678A	1	S	Arm Lift
26	783-0720A	1	S	Deck Stabilizer Bracket
27	710-0260A	1	/P	Carriage Bolt, 5/16 x .62
28	710-0604A	1	/P	Self-tapping Screw, 5/16-18 x .625
29	710-0895	1		Self-tapping Screw, 1/4-15 x .75
30	731-1990	1		Lift Lever Cover
31	731-1993	1		C over w/ Cup Holder
32	736-3078	1	/P	Flat Washer, .349 x 1.0 x .063
33	783-0677	1	S	Lift Adjustment Bracket
34	783-1279	1	/P	Fender
35	783-1489	1	S	Seat Mounting Bracket
36	710-1268	1	/P	Screw, #10-16 x .375
37	712-3027	1	S	Hex Flange Lock Nut, 1/4-20
38	720-0309A	1	/P	Seat Adjuster Grip
39	731-04074	1		Spacer
40	732-0499	1		Compression Spring, .41 x 1.5
41	736-0175	1	S	Spring Washer, .265 x .562 x .025
42	736-0204	1	/P	Flat Washer, .344 x .62 x .03
43	738-0137A	1	S	Shoulder Screw, .340 x .285, 1/4-20
44	738-0966	1	S	Shoulder Screw, .50 x .925, 3/8-16
45	783-0611	1		Seat Stop
46	783-0738	1	S	Seat Pivot Bracket
47	783-0739	1		Seat Adjustment Lever
48	783-0753	1		Seat Adjustment Selector
49	757-04014	1	S	Medium Back Seat, Black
50	735-0656	1		RH Foot Pad
51	735-0657	1		LH Foot Pad
	726-3046	1	/P	Foot Pad Clips (Not Shown)
52	714-0111	1		

13A2606G190 LT-1500 (2003)
Fender, Seat, Deck Stabilizer

Ref #	Part Number	Qty	S/P/F	Description
53	731-0511	1	/P	Trim Strip
54	783-0209	1	S	Seat Lift Bracket
55	726-0201	1		Speed Clip

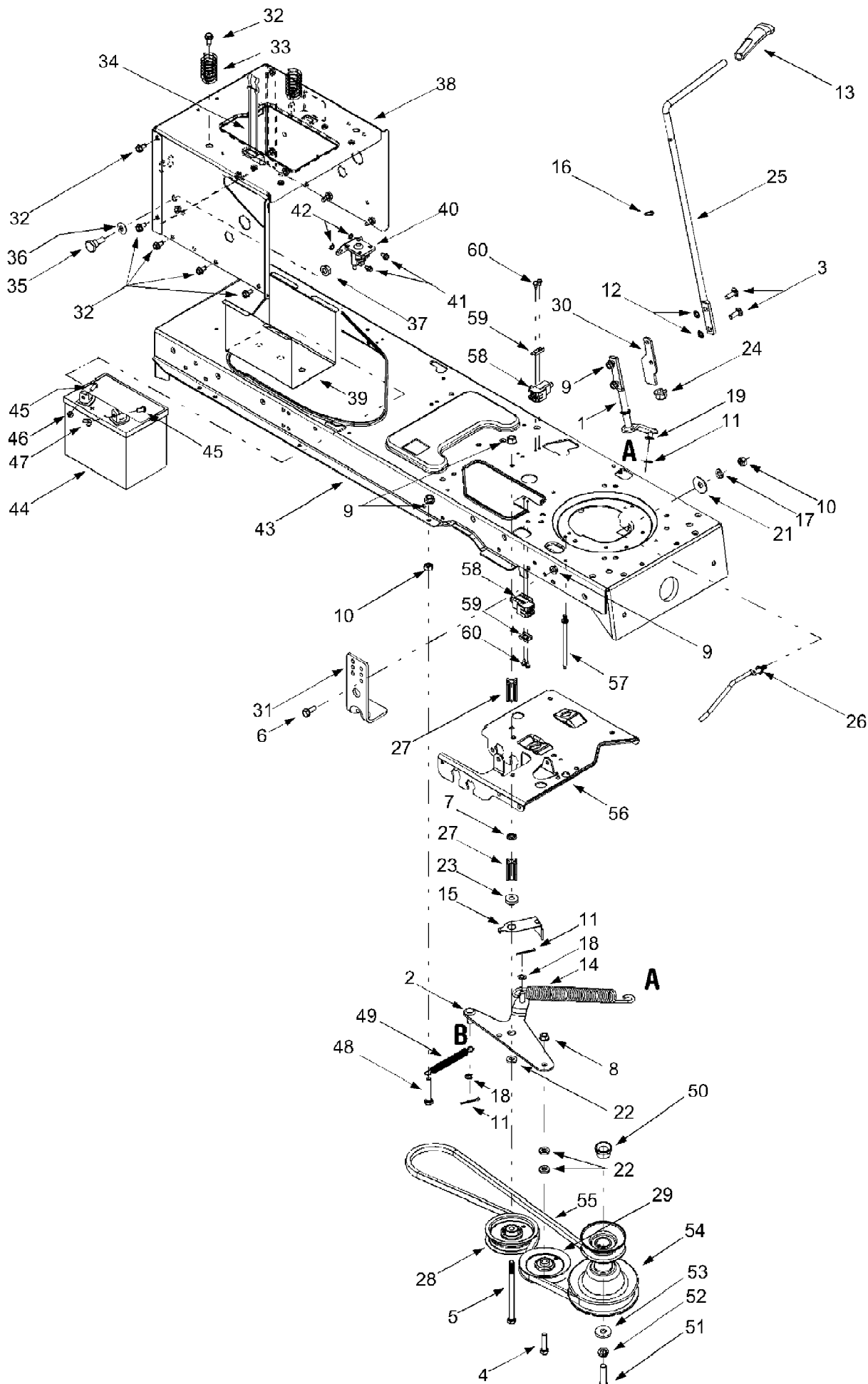


13A2606G190 LT-1500 (2003)
Fuel Tank & Hood Assembly

Page 24 of 33

Ref #	Part Number	Qty	S/P/F	Description
1	710-3015	1	/P	Hex Cap Screw, 1/4-20 x .75
2	710-0599	1	/P	Self-tapping Screw, 1/4-20 x .5
3	712-3006	1	/P	Hex Nut, 1/4-20
4	710-0895	1		Self-tapping Screw, 1/4-15 x .75
?5	710-0924	1	/P	Pan Phillips Screw, 1/4-20 x .75
6	710-0376	1	/P	Hex Cap Screw, 5/16-18 x 1.0
7	712-0292	1	/P	U-type Speed Nut, 1/4-20
8	712-3004A	1	/P	Flange Lock Nut, 5/16-18
9	726-0201	1		Speed Nut
10	747-2127	1		Hood Latch Rod
11	731-2286	1	S	Head Light Lens
12	683-0305	1	S	Hood Bracket Assembly
13	731-2283A	1	S	Hood
14	731-2327A	1	S	LH Side Panel
15	731-2328A	1	S	RH Side Panel
16	736-0329	1	S	Lock Washer, 1/4
17	736-0342	1		Flat Washer, .283 x .75 x .030
18	736-0173	1	/P	Flat Washer, .28 x .74 x .063
19	736-3078	1	/P	Flat Washer, .349 x 1.0 x .063
20	710-0809	1		Self-tapping Screw, 1/4-20 x 1.25
21	731-2284	1		Hood Plenum w/o Intake Bellow
22	710-0604A	1	/P	Self-tapping Screw, 5/16-18 x .625
23	710-1017	1	/P	Torx Self-tapping Screw, 1/4-14 x .625
24	710-3217	1	/P	Torx Screw, #8-32 x .375
25	712-0142	1	/P	Hex Nut, 8-32
26	731-0069C	1	S	Dash Panel, 4-style
	735-04023	1		Cargo Net
	726-04029	1		Clips
27	731-0072	1		Parking Brake Button
28	731-1857	1		Throttle Control Lever
29	731-2106	1		Cruise Control Button
30	747-1155	1		Brake/Cruise Pivot Rod
31	749-1087A	1	S	Dash Support Tube
32	731-2232	1	S	Intake Bellow
33	751-0659C	1	S	Fuel Tank, 2-gallon
34	751-0603	1	S	Fuel Cap
35	725-1745	1	S	Ignition Key w/ plastic cover
	725-1744	1	S	Ignition Key w/o plastic cover
36	710-0726	1	/P	Self-tapping Screw, 5/16-18 x .75
37	783-1000A	1	/P	Grille Support Bracket
38	725-04036	1	S	Systems Indicator Monitor, Curved Face
39	725-1741	1	S	Ignition Switch
40	625-0051	1	S	Headlight Assembly
41	710-1611B	1	/P	Self-tapping Screw, 5/16-18 x .75
	629-0469B	1	S	Headlight Wire Harness
	629-1071	1	S	Tractor Wire Harness

13A2606G190 LT-1500 (2003)
PTO Drive, Battery, Frame



13A2606G190 LT-1500 (2003)
PTO Drive, Battery, Frame

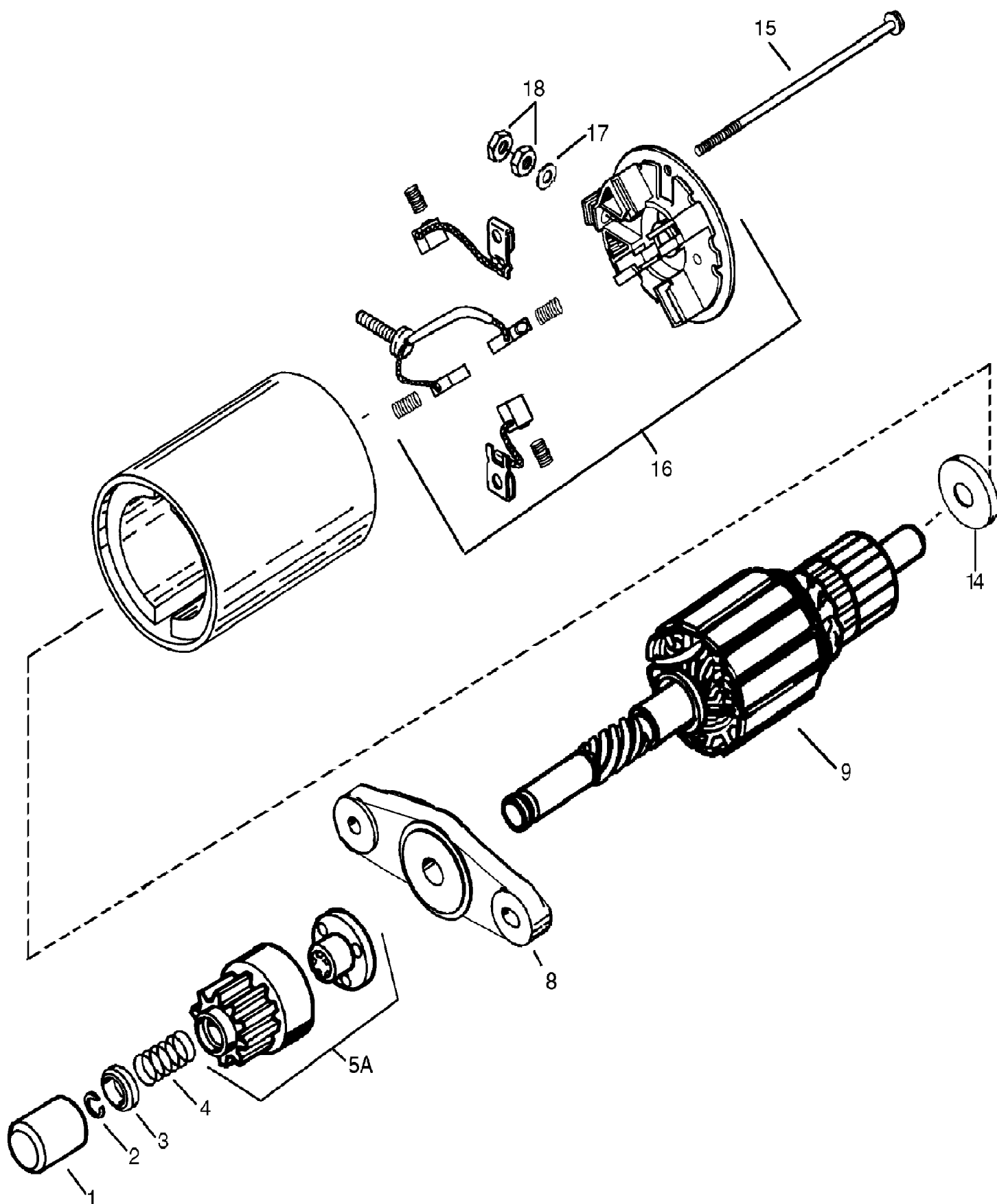
Page 26 of 33

Ref #	Part Number	Qty	S/P/F	Description
1	647-0064	1	/P	PTO Engage Lever Assembly
2	683-0450	1	/P	PTO Engage Plate Assembly
3	710-0276	1	/P	Carriage Screw, 5/16-18 x 1.00
4	710-0520	1	/P	Hex Cap Screw, 3/8-16 x 1.5
5	710-0831	1		Hex Cap Screw, 3/8-16 x 5.5
6	710-1238	1	/P	Hex Head Washer Screw, 5/16-18 x .875
7	712-0229	1		Push Nut, 3/8
8	712-0431	1	S	Flange Lock Nut, 3/8-16
9	712-3004A	1	/P	Flange Lock Nut, 5/16-18
10	712-3010	1	S	Hex Nut, 5/16-18
11	714-0470	1	S	Cotter Pin, 1/8 x 1.25
12	726-0201	1		Speed Nut, .3125
13	731-2111A	1	S	PTO Knob
14	732-0944	1		Extension Spring, .75 x 6.75
15	732-0991A	1	/P	Belt Guard
16	736-0108	1	S	Flat Washer, .510 x .750 x .033
17	736-0119	1	S	Lock Washer, 5/16
18	736-0140	1	S	Flat Washer, .385 x .62 x .063
19	736-0275	1	S	Flat Washer, 5/16
?20	736-3000	1		Flat Washer, .406 x .875 x .059
21	736-0331	1	/P	Bell Washer, .39 x 1.13 x .062
22	736-3010	1		Flat Washer, .407 x .812 x .135
23	738-0372	1	S	Shoulder Spacer, .380
24	741-0708	1		Hex Split Flange Bearing, .5
25	747-1112D	1	S	PTO Engage Handle
26	747-1286A	1	/P	Belt Keeper Rod
27	748-0415A	1	S	Spacer, 3/8 x 1.54
28	756-0627B	1	S	Idler Pulley, 3.5
29	756-1208	1		Idler Pulley, 4.0
30	783-0744A	1		Engagement Stop
31	783-0891B	1		Deck Stop
32	710-0604A	1	/P	Self Tapping Screw, 5/16-18 x .625
33	732-04035	1		Compression Spring, 1.28 x 3.125
34	723-0444	1		Battery Strap
35	738-1020	1		Shoulder Screw, .625 x .5, 7/16-20
36	736-0407	1		Bell Washer, .45 x 1.0 x .062
37	712-0459	1	/P	Flange Lock Nut, 7/16-20
38	783-1031A	1		Hitch Plate
39	783-0349	1		Battery Tray
40	725-1426	1	S	Solenoid, 12-Volt, 100 Amp
41	710-0599	1	/P	Self Tapping Screw, 1/4-20 x .5
42	736-0222	1	S	Lock Washer, 1/4
43	683-0304C	1		Lower Frame Assembly
44	725-1706	1	S	12-volt Battery, 270 CCA
45	710-0751	1	/P	Hex Cap Screw, 1/4-20 x .62
46	712-0271	1	/P	Hex Sems Nut, 1/4-20
47	712-3044	1		Wing Nut, 1/4-20
48	732-1165	1	S	Extension Spring, .50 x 5.0
49	710-3180	1	/P	Hex Cap Screw, 5/16-18 x 1.75
50	750-0596	1		Spacer Cup
51	710-3029	1	/P	Hex Head Cap Screw, 7/16-20 x 1.25
52	736-0171	1	S	Lock Washer, 7/16
53	736-0322	1	/P	Flat Washer, 1/4 x 1.25

13A2606G190 LT-1500 (2003)
PTO Drive, Battery, Frame

Page 27 of 33

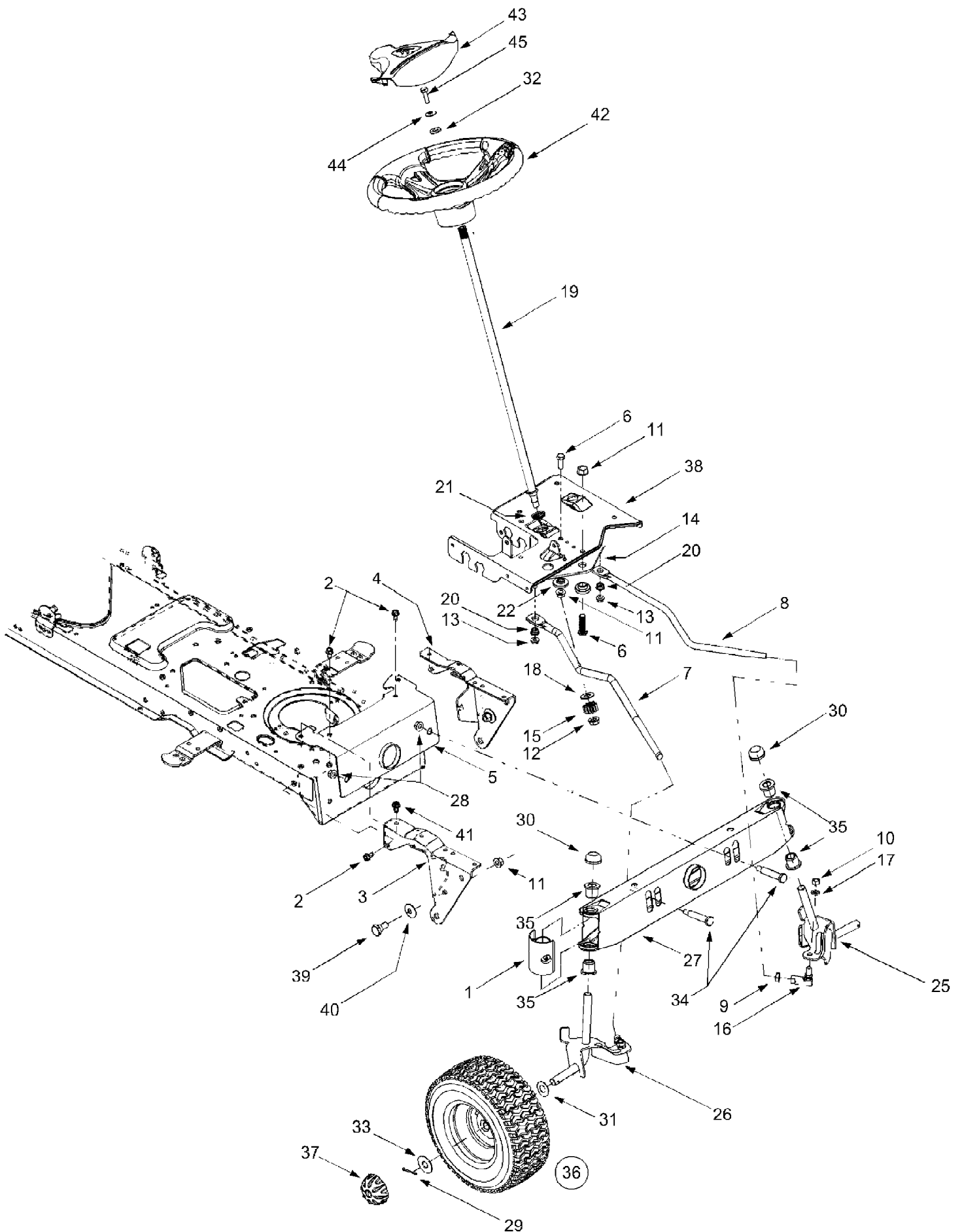
Ref #	Part Number	Qty	S/P/F	Description
54	756-0982B	1	/P	Engine Pulley, 3.56 OD x 5.56
55	754-0497	1	S	PTO Belt
56	783-0653F	1	S	Steering Support Bracket
57	711-1044	1	S	Keeper Pin, 5/16 x 4.75
58	725-1657A	1	S	Switch
59	17962	1		Switch Plate
60	710-0224	1	S	Screw, #10-16 x .5



13A2606G190 LT-1500 (2003)
Starter

Page 29 of 33

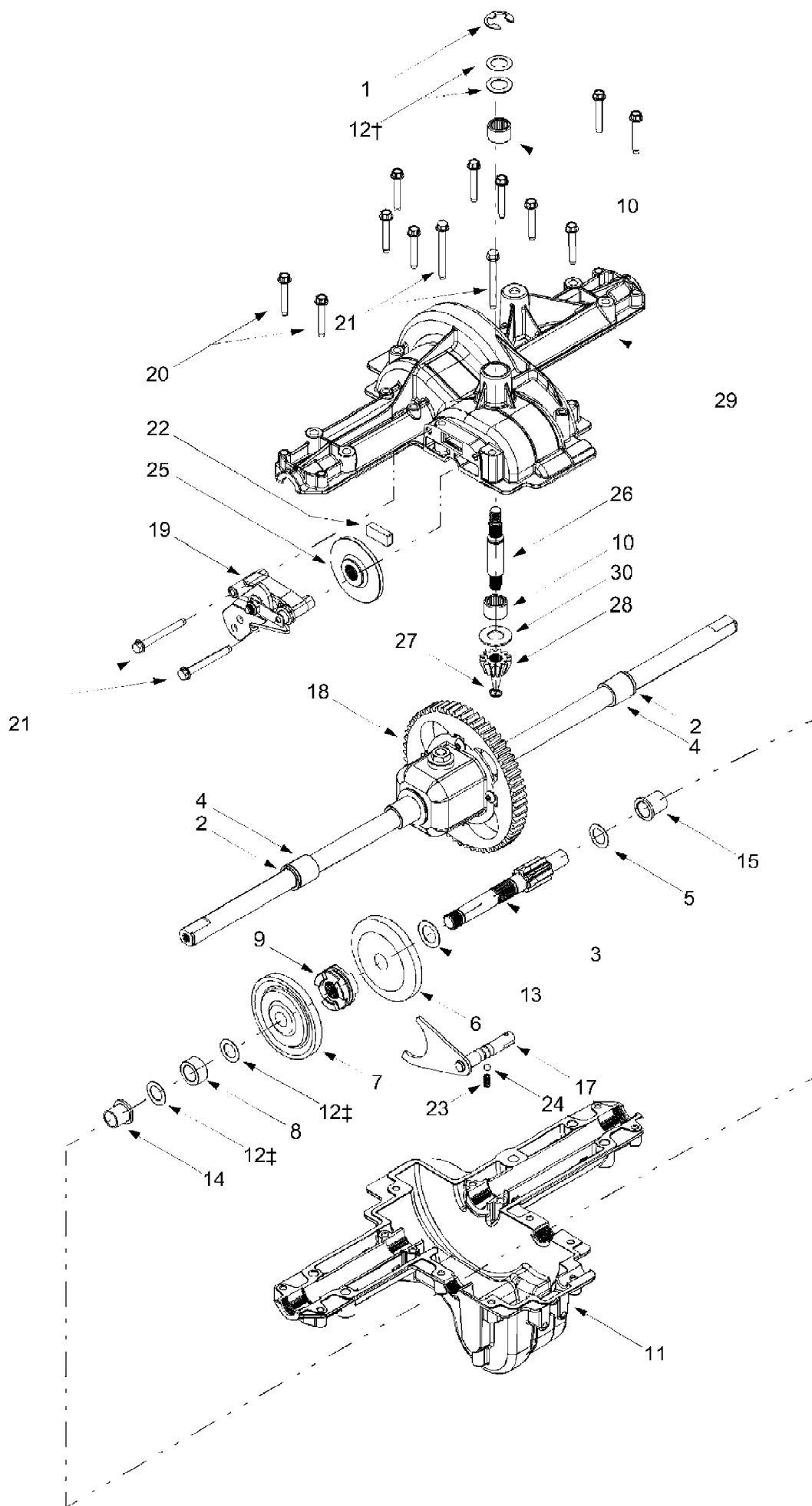
Ref #	Part Number	Qty	S/P/F	Description
	TC-36795	1	/P	Electric Starter (12 Volt)
1	TC-33841	1		Dust Cover
2	TC-33842	1		Retainer Ring
3	TC-33843	1		Spring Retainer
4	TC-33854	1		Anti-drift Spring
5A	TC-36853	1		Gear & Nut (Incl. 2)
8	TC-36854	1		Drive End Cap Assembly
9	TC-36855	1		Armature
14	TC-35897	1		Thrust Washer
15	TC-36856	1		Case Bolt
16	TC-37442	1		End Cap & Brush Card Ass'y (Incl. 14, 17, & 18)
17	TC-650168	1		Washer
18	TC-650864	1	/P	Nut
		1		Replacement Engine
	TC-758218	1	S	Shortblock (not shown)



13A2606G190 LT-1500 (2003)
Steering, Front Wheels & Axle

Page 31 of 33

Ref #	Part Number	Qty	S/P/F	Description
1	731-1291A	1	S	Pivot Bar End Cap w/ Fitting
2	710-0604A	1	/P	Self-tapping Screw, 16-18 x .625
3	783-0726B	1	S	RH Pivot Support Bracket
4	783-0727A	1	S	LH Pivot Support Bracket
5	783-0728	1		Pivot Bar Bracket
6	710-0723	1	/P	Hex Cap Screw, 3/8-16 x 1.25 (Grade 5)
7	711-1408	1		RH Drag Link
8	711-1409A	1	/P	LH Drag Link
9	712-0240	1	S	Jam Nut, 7/16-20 (Grade 2)
10	712-0241	1	/P	Hex Nut, 3/8-24 (Grade 2)
11	712-0431	1	S	Flange Lock Nut, 3/8-16
12	712-0459	1	/P	Flange Lock Nut, 7/16-20
13	712-3004A	1	/P	Flange Lock Nut, 5/16-18
14	717-1550D	1	S	Steering Gear, 11/90 Ratio
15	717-1554	1		Steering Pinion Gear
16	723-0448A	1	S	Ball Joint, 7/16-20
17	736-0169	1	S	Lock Washer, 3/8
18	736-3084	1	/P	Flat Washer, .51 x 1.12 x .06
19	738-1001A	1	/P	Steering Shaft, .625 OD x 24.4
20	741-0475	1	S	Plastic Bushing, .38 ID
21	741-0656	1	S	Hex Flange Bearing, 5/8
22	738-0372B	1	/P	Shoulder Spacer, .38 ID
23	631-0027	1	S	Standard Steering Wheel, 13.25
24	731-0220	1	S	Steering Wheel Cap, Round
25	638-0019A	1	S	LH Axle Assembly, .625 Diameter
26	638-0020A	1	S	RH Axle Assembly, .625 Diameter
27	683-0128A	1	S	Steel Pivot Bar
28	712-0431	1	S	Flange Lock Nut, 3/8-16
29	714-0162	1	/P	Cotter Pin
30	726-0214	1	/P	Push Cap, .625
31	736-0162	1	/P	Flat Washer, .64 x 1.0 x .12
32	736-3004	1	S	Flat Washer, .406 x .875 x .105
33	736-0285	1	/P	Flat Washer, .635 x 1.589 x .06
34	738-1011	1	S	Shoulder Screw, .5 x 2.2, 3/8-16
35	741-0659	1	S	Flange Bearing, .632 ID x .937 OD
36	634-0115	1		Wheel Assembly, 15 x 6 x 6, Square Shoulder
36	634-0051	1	S	Rim Assembly Only
36	734-0255	1	S	Air Valve (Not Shown)
36	734-1731	1		Tire Only, Square Shoulder
36	737-0280	1	S	Grease Fitting (Not Shown)
36	741-0569	1	S	Ball Bearing (Not Shown)
37	731-2290A	1	/P	Deluxe Hub Cap
38	783-0653F	1	S	Steering Support Bracket
39	738-0143	1	/P	Shoulder Screw, 3/8-16
40	736-0331	1	/P	Bell Washer, .39 x 1.13 x .062
41	710-1260A	1	/P	Self-tapping Screw, 5/16-18 x .75
42	731-2624	1		Steering Wheel, Soft Grip, Three Spoke
43	731-2625	1		Steering Wheel Cap, Round
44	736-0242	1	/P	Bell Washer, .34 x .872
45	710-0643	1	/P	Hex Bolt, 5/16-18 X 1



13A2606G190 LT-1500 (2003)
Transaxle

Page 33 of 33

Ref #	Part Number	Qty	S/P/F	Description
1	716-0231	1	S	E-ring, .75
2	721-0338	1	S	Seal, .75 x 1.0 x .125
3	711-1431	1		Drive Shaft
4	741-0340	1	S	Sleeve Bearing, .75 x .1.0 x 1.0
5	736-0495	1	S	Thrust Washer, 1.0 x .632 x .0
6	717-1362	1	S	42-tooth Bevel Gear
7	717-1363	1	S	42-tooth Bevel Gear
8	750-1234	1		Spacer, .633 x 1.0 x .513
9	718-0228	1		Clutch Collar
10	741-0525	1	S	Needle Bearing, .625 x .875
11	719-0394	1		Lower Housing
12	736-0336	1	S	Flat Washer, 5/8 x 1.0 x .030
	736-0337	1	S	Flat Washer, 5/8 x 1.0 x .040
	736-0349	1	S	Flat Washer, 5/8 x 1.0 x .020
13	736-0519	1	S	Flat Washer, .70 x 1.125 x .031
14	741-0336	1	S	Flange Bearing, 5/8 x 3/4 x 3/4
15	741-0337	1	S	Flange Bearing, 5/8 x 3/4 x 15/16
?16	750-1238	1		Spacer, .635 x 1.0 x .27
17	611-0133	1		Detent Shaft Assembly
18	618-0424	1	S	Differential Assembly
19	661-0006	1	S	Brake Assembly
20	710-1325	1	/P	Self-tapping Screw, 1/4-20 x 1.625
21	710-1206	1	/P	Self-tapping Screw, 1/4-20 x 2.375
22	717-0678	1	S	Brake Pad
23	732-0863	1	S	Compression Spring
24	741-0862	1	/P	Detent Ball
25	761-0202	1		Brake Disc
26	711-1430	1		Input Shaft
27	716-0108	1	S	Retaining Ring, .437
28	717-1464	1		14-tooth Bevel Pinion
29	719-0391A	1	S	Upper Housing
30	736-0723	1	S	Thrust Washer, .635 x 1.25 x .042